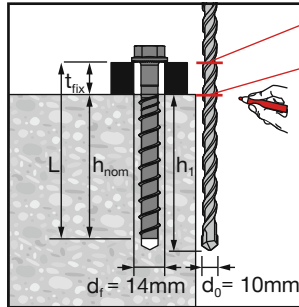
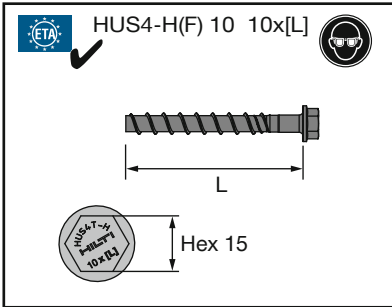




<p>① CE</p> <p>25 Hilti AG LI-9494 Schaan Hilti Werke 2873-CPR-201-72 ETA-20/0867 Notified body 2873 EAD 330232-01-0601 Product for fixing to- or connecting/supporting of building structures www.hilti.group</p>	<p>② CE</p> <p>25 Hilti AG, LI-9494 Schaan Hilti Werke 2873-CPR-201-73 ETA-18/1160 Notified body 2873 EAD 332795-01-0601 Product for fixing to- or connecting/supporting of building structures www.hilti.group</p>	<p>③ CE</p> <p>22 Hilti AG, LI-9494 Schaan Hilti Werke 2873-CPR-201-78 ETA-21/0969 Notified body 2873 EAD 332347-00-0601 Product for fixing to- or connecting/supporting of building structures www.hilti.group</p>	<p>④ CE</p> <p>25 Hilti AG, LI-9494 Schaan Hilti Werke 2873-CPR-201-83 ETA-23/0936 Notified body 2873 EAD 330460-00-0604 Product for fixing to- or connecting/supporting of building structures www.hilti.group</p>	<table border="1"> <thead> <tr> <th></th> <th>①</th> <th>②</th> <th>③</th> <th>④</th> <th></th> <th>①</th> <th>②</th> <th>③</th> <th>④</th> </tr> </thead> <tbody> <tr> <td>HUS4-H 10×60</td> <td>✓</td> <td></td> <td></td> <td></td> <td>HUS4-H 10×280</td> <td>✓</td> <td>✓</td> <td>✓</td> <td>✓</td> </tr> <tr> <td>HUS4-H 10×70</td> <td>✓</td> <td></td> <td></td> <td></td> <td>HUS4-H 10×305</td> <td>✓</td> <td>✓</td> <td>✓</td> <td>✓</td> </tr> <tr> <td>HUS4-H 10×80</td> <td>✓</td> <td></td> <td></td> <td></td> <td></td> <td></td> <td></td> <td></td> <td></td> </tr> <tr> <td>HUS4-H 10×90</td> <td>✓</td> <td></td> <td></td> <td>✓</td> <td>HUS4-HF 10×60</td> <td>✓</td> <td>✓</td> <td>✓</td> <td>✓</td> </tr> <tr> <td>HUS4-H 10×100</td> <td>✓</td> <td>✓</td> <td>✓</td> <td>✓</td> <td>HUS4-HF 10×70</td> <td>✓</td> <td>✓</td> <td>✓</td> <td>✓</td> </tr> <tr> <td>HUS4-H 10×110</td> <td>✓</td> <td>✓</td> <td>✓</td> <td>✓</td> <td>HUS4-HF 10×80</td> <td>✓</td> <td>✓</td> <td>✓</td> <td>✓</td> </tr> <tr> <td>HUS4-H 10×130</td> <td>✓</td> <td>✓</td> <td>✓</td> <td>✓</td> <td>HUS4-HF 10×90</td> <td>✓</td> <td>✓</td> <td>✓</td> <td>✓</td> </tr> <tr> <td>HUS4-H 10×150</td> <td>✓</td> <td>✓</td> <td>✓</td> <td>✓</td> <td>HUS4-HF 10×100</td> <td>✓</td> <td>✓</td> <td>✓</td> <td>✓</td> </tr> <tr> <td>HUS4-H 10×180</td> <td>✓</td> <td>✓</td> <td>✓</td> <td>✓</td> <td>HUS4-HF 10×110</td> <td>✓</td> <td>✓</td> <td>✓</td> <td>✓</td> </tr> <tr> <td>HUS4-H 10×200</td> <td>✓</td> <td>✓</td> <td>✓</td> <td>✓</td> <td>HUS4-HF 10×130</td> <td>✓</td> <td>✓</td> <td>✓</td> <td>✓</td> </tr> <tr> <td>HUS4-H 10×240</td> <td>✓</td> <td>✓</td> <td>✓</td> <td>✓</td> <td>HUS4-HF 10×150</td> <td>✓</td> <td>✓</td> <td>✓</td> <td>✓</td> </tr> </tbody> </table>		①	②	③	④		①	②	③	④	HUS4-H 10×60	✓				HUS4-H 10×280	✓	✓	✓	✓	HUS4-H 10×70	✓				HUS4-H 10×305	✓	✓	✓	✓	HUS4-H 10×80	✓									HUS4-H 10×90	✓			✓	HUS4-HF 10×60	✓	✓	✓	✓	HUS4-H 10×100	✓	✓	✓	✓	HUS4-HF 10×70	✓	✓	✓	✓	HUS4-H 10×110	✓	✓	✓	✓	HUS4-HF 10×80	✓	✓	✓	✓	HUS4-H 10×130	✓	✓	✓	✓	HUS4-HF 10×90	✓	✓	✓	✓	HUS4-H 10×150	✓	✓	✓	✓	HUS4-HF 10×100	✓	✓	✓	✓	HUS4-H 10×180	✓	✓	✓	✓	HUS4-HF 10×110	✓	✓	✓	✓	HUS4-H 10×200	✓	✓	✓	✓	HUS4-HF 10×130	✓	✓	✓	✓	HUS4-H 10×240	✓	✓	✓	✓	HUS4-HF 10×150	✓	✓	✓	✓
	①	②	③	④		①	②	③	④																																																																																																																			
HUS4-H 10×60	✓				HUS4-H 10×280	✓	✓	✓	✓																																																																																																																			
HUS4-H 10×70	✓				HUS4-H 10×305	✓	✓	✓	✓																																																																																																																			
HUS4-H 10×80	✓																																																																																																																											
HUS4-H 10×90	✓			✓	HUS4-HF 10×60	✓	✓	✓	✓																																																																																																																			
HUS4-H 10×100	✓	✓	✓	✓	HUS4-HF 10×70	✓	✓	✓	✓																																																																																																																			
HUS4-H 10×110	✓	✓	✓	✓	HUS4-HF 10×80	✓	✓	✓	✓																																																																																																																			
HUS4-H 10×130	✓	✓	✓	✓	HUS4-HF 10×90	✓	✓	✓	✓																																																																																																																			
HUS4-H 10×150	✓	✓	✓	✓	HUS4-HF 10×100	✓	✓	✓	✓																																																																																																																			
HUS4-H 10×180	✓	✓	✓	✓	HUS4-HF 10×110	✓	✓	✓	✓																																																																																																																			
HUS4-H 10×200	✓	✓	✓	✓	HUS4-HF 10×130	✓	✓	✓	✓																																																																																																																			
HUS4-H 10×240	✓	✓	✓	✓	HUS4-HF 10×150	✓	✓	✓	✓																																																																																																																			



! $\geq h_1 + t_{fix}$

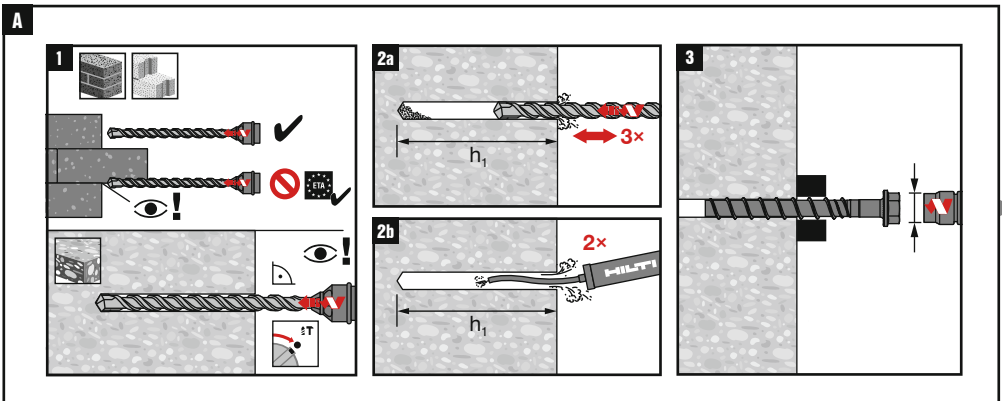
! $\geq h_1$

$h_1 = h_{nom} + 30 \text{ mm}$ **2a**

$h_1 = h_{nom} + 10 \text{ mm}$ **2b**

	h_{nom} [mm]
	≥ 55
	≥ 75
	≥ 75

SIW 6AT-A22 1/2", SIW 4AT-22 1/2"					
SIW 6-22 1/2", SIW 6AT-22 1/2"					
SIW 22T-A 1/2", SIW 22T-A 3/4"					
SIW 9-A22 3/4"					
SIW 8-22 1/2"					
SF 4-22, SF 6-22					



4 optional

4a

max. 10 mm
max. 2x

4b

h_{nom}
max. 10 mm

	h_{nom} [mm]	
	< 60	
	≥ 60	

5

B

DIBt - aBG

1

2

NURON

3a

3b

4a

4b

HUS4-H(F) 10

C

Hilti TD

3

1

e.g. PS 50, PS 300

2

≥ 50 mm

4

5